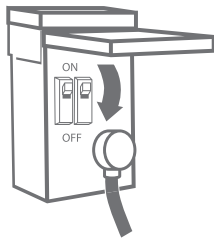


EOS O₃TM CARBON FILTER

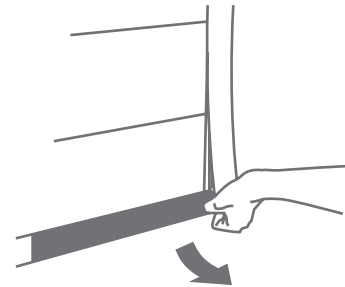


INSTALLATION INSTRUCTIONS: A, R, X

1 Power off



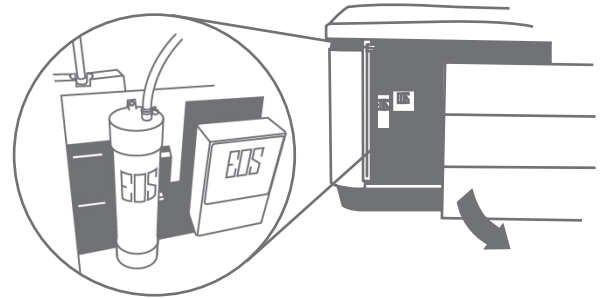
2 Remove trim strips (2)



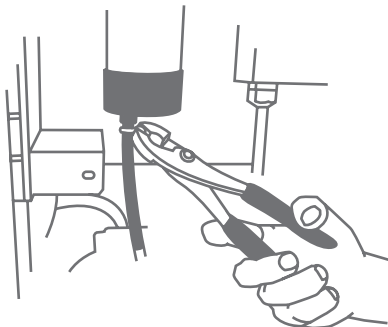
3 Take off front door of spa



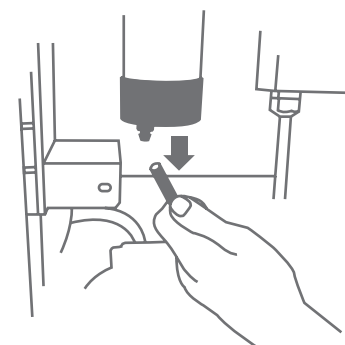
4 Locate EOS panel



5 Use pliers on the wings of the top and bottom clips, loosen from neck and flanged connector, slide up the hoses

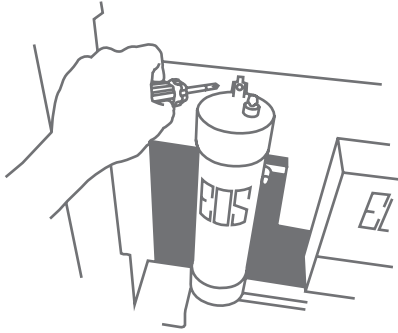


6 Pull off the top and bottom hoses using a direct up or down motion



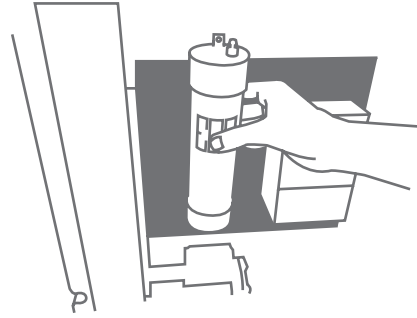
! Be careful not to lose the clips

7 Remove the connection screws (2) from cartridge

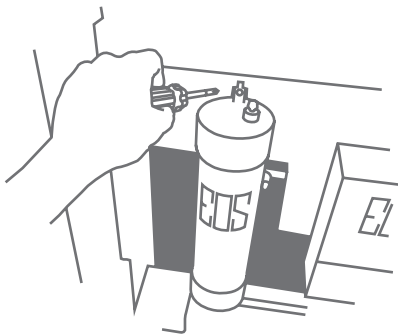


! Hand screwdriver recommended, do not use a drill

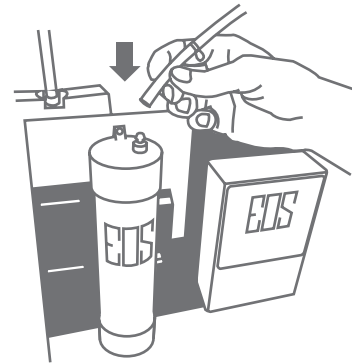
8 Remove the old cartridge



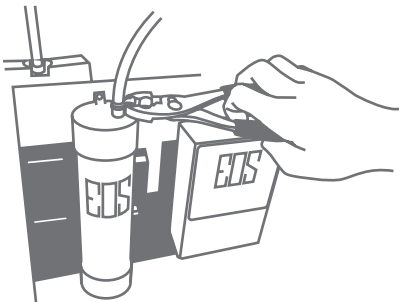
9 Position new cartridge, install screws



10 Replace both top and bottom hoses



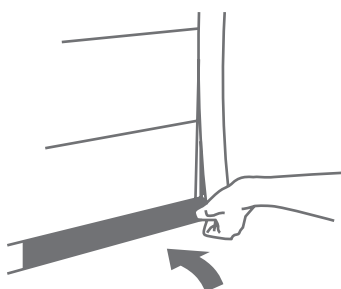
11 Replace clips around neck and flanged connector



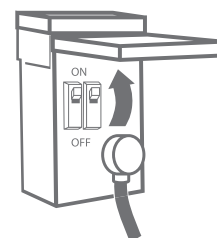
12 Replace front door, tapping the cabinet to pop into the channels on the studs



13 Replace trim strips



14 Power on

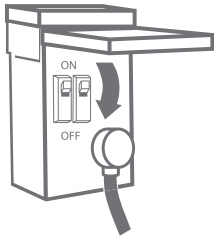


EOS O₃TM CARBON FILTER

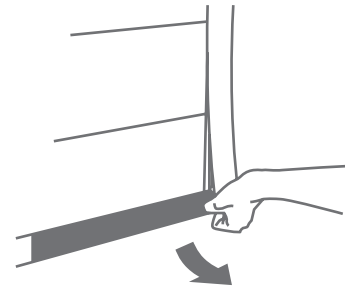


INSTALLATION INSTRUCTIONS: STIL

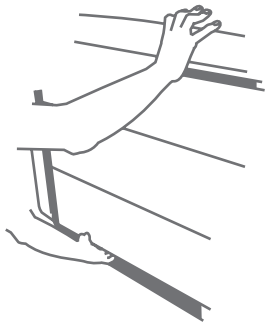
1 Power off



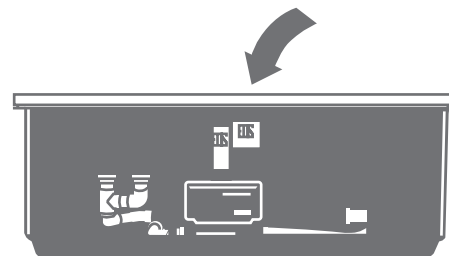
2 Remove corner trim strips (2)



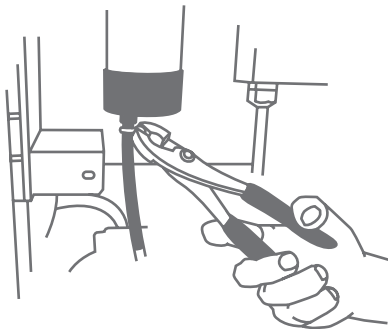
3 Take off front door of spa



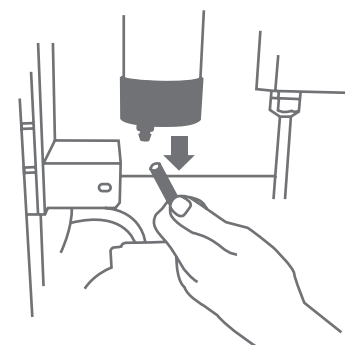
4 Locate EOS panel



5 Use pliers on the wings of the clips, loosen from neck and flanged connector, slide up the hoses

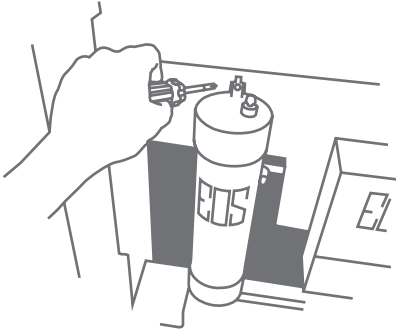


6 Pull off the top and bottom hoses using a direct up or down motion (arrows)



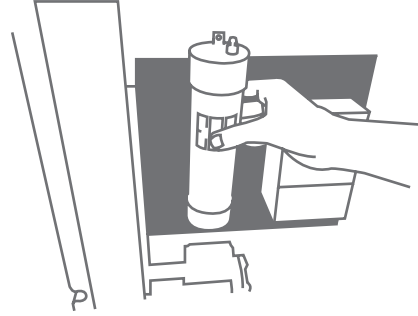
! Be careful not to lose the clips

7 Remove the connection screws (2) from cartridge

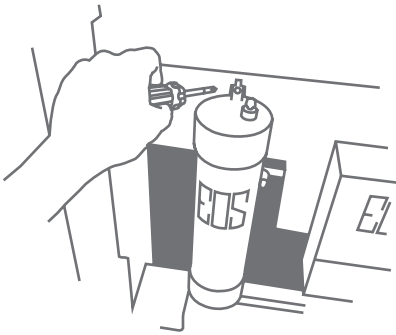


! Hand screwdriver recommended, do not use a drill

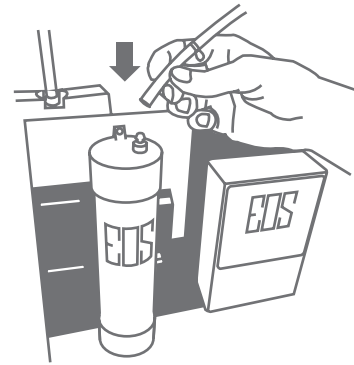
8 Remove the old cartridge



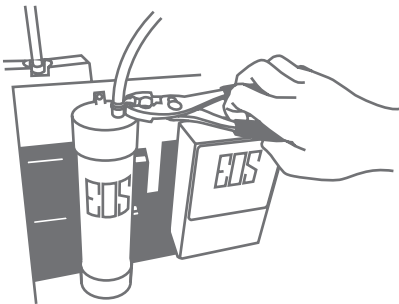
9 Position new cartridge, install screws



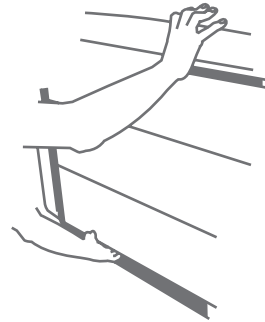
10 Replace top and bottom hoses



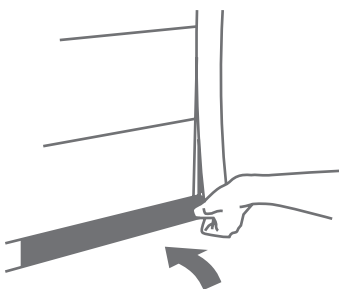
11 Replace clips around neck



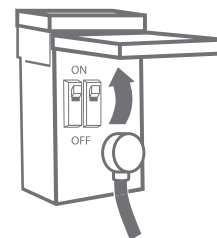
12 Replace front door, tapping the cabinet to pop into the channels on the studs



13 Replace corner trim strips (2)



14 Power on

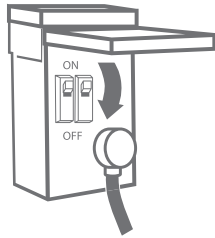


EOS O₃TM CARBON FILTER

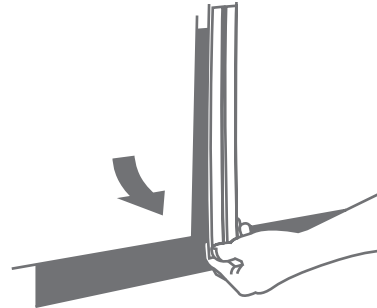


INSTALLATION INSTRUCTIONS: M SERIES

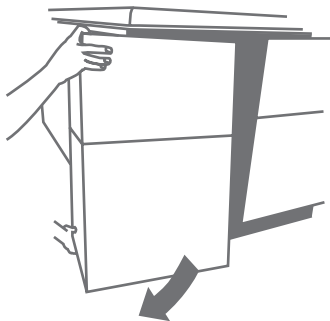
1 Power off



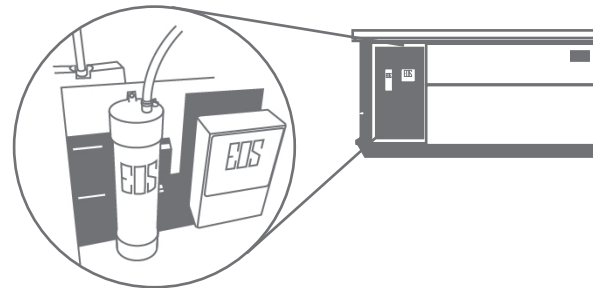
2 Remove left corner trim strips (2)



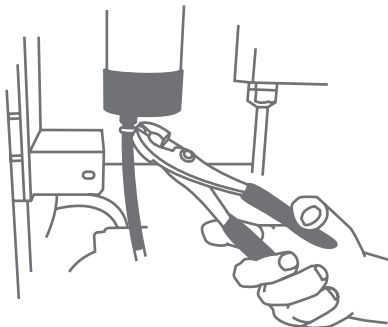
3 Take off left corner



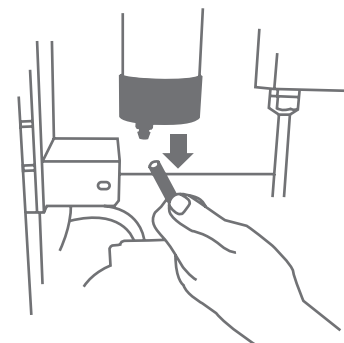
4 Locate EOS panel



5 Use pliers on the wings of the clips, loosen from neck and flanged connector, slide up the hoses

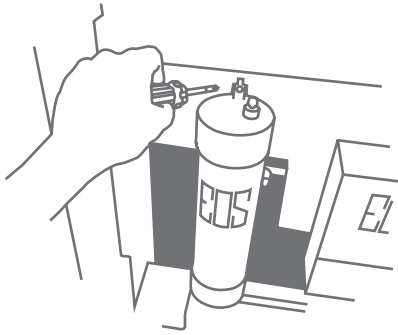


6 Pull off the top and bottom hoses using a direct up or down motion (arrows)



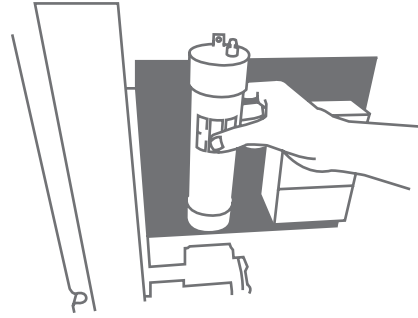
! Be careful not to lose the clips

7 Remove connection screw from cartridge

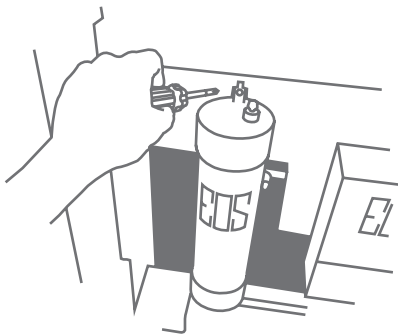


! Hand screwdriver recommended, do not use a drill

8 Slide cartridge up and out of channel

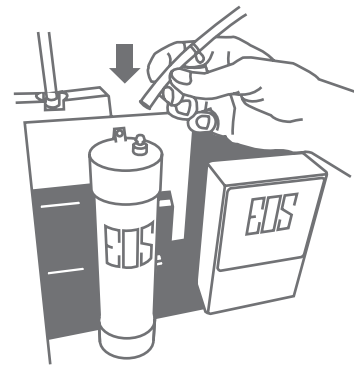


9 Position new cartridge in channel, install screw

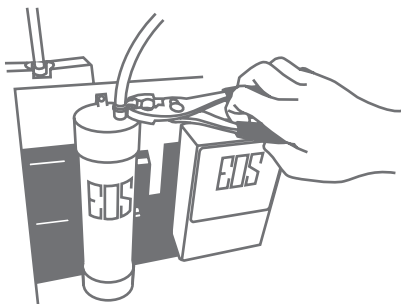


! Write install date for future reference

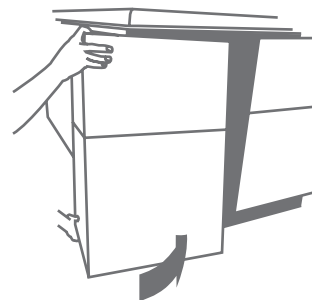
10 Replace top and bottom hoses



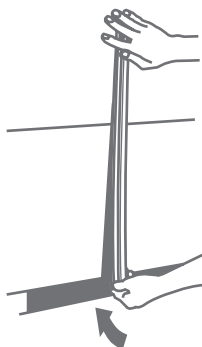
11 Replace clips around neck



12 Replace left corner, tapping the cabinet to pop into the channels on the studs



13 Replace trim strips



14 Power on

